



PRODUCT DESCRIPTION

The Model A PS009/PS010(Glass Bulb Type) ½” Orifice, Conventional sprinkler is designed for standard or recessed installation. The design incorporates state-of-the-art, heat responsive, frangible glass bulb design (standard or quick response) for prompt, precise operation. The die cast frame is more streamlined and attractive than traditional sand cast frames. It is cast with a hex-shaped wrench boss to allow easy tightening from many angles, reducing assembly effort. This sprinkler is available in various temperature ratings (see chart on page 2) and finishes to meet many design requirements. The recessed pendent should be utilized with a Model A recessed escutcheon which provides up ¾” of adjustments. All Protector Sprinklers are manufactured using the time proven Belleville seal used exclusively by all major manufactures to ensure long life and safe operation.

Sprinkler Operation

The operating mechanism is a frangible glass bulb which contains a heat responsive liquid. During a fire, the ambient temperature rises causing the liquid in the bulb to expand.

When the ambient temperature reaches the rated temperature of the sprinkler, the bulb shatters. As a result, the waterway is cleared of all sealing parts and water is discharged towards the deflector. The deflector is designed to distribute the water in a pattern that is most effective in controlling the fire.

Maximum Coverage

Standard spray coverage is up to: Light Hazard = 196 square feet(18,2 sq.m); Ordinary Hazard = 100 square feet(9,3 sq.m)per NFPA 13. see page 4 for distribution patterns.



Standard Conventional Sprinkler



Recessed Conventional Sprinkler

PROTECTOR SPRINKLER
An  9001 certified company

TECHNICAL SPECIFICATION

SIN : Standard PS009(bulb 5mm),Quick Response PS010(bulb 3mm)

Style : Conventional Sprinkler

K-Factor : 5.6Imp.(80S.I)

Response Time Index(RTI) : Standard 50 , Quick Response 30

Norminal Thread Size : 1/2" NPT(15mm)

Max. Working Pressure : 175PSI(1200kPa)

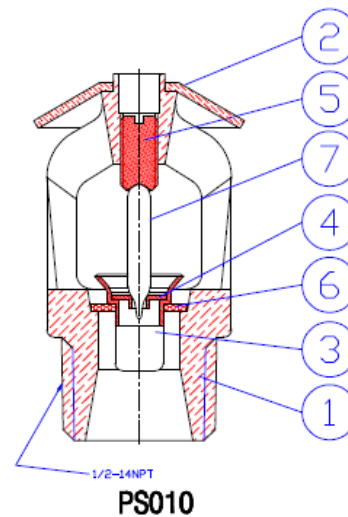
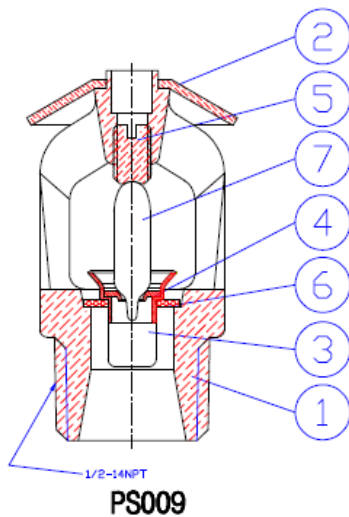
Factory Hydrostatic Test : 100% @500PSI(3450 kPa)

Min. Operation Pressure : 7 PSI(48 kPa)

RATINGS

SPRINKLRE TEMPERATURE CLASSIFICATION	NORMINAL SPRINKLER TEMPERATURE RATING	N.F.P.A MAXIMUM AMBIENT (CEILING) TEMP.(ALLOWED)	GLASS BULB COLOR
Ordinary	155°F/68°C	100°F/38°C	Red
Intermediate	175°F/79°C	150°F/65°C	Yellow
Intermediate	200°F/93°C	150°F/65°C	Green

DIMENSIONS

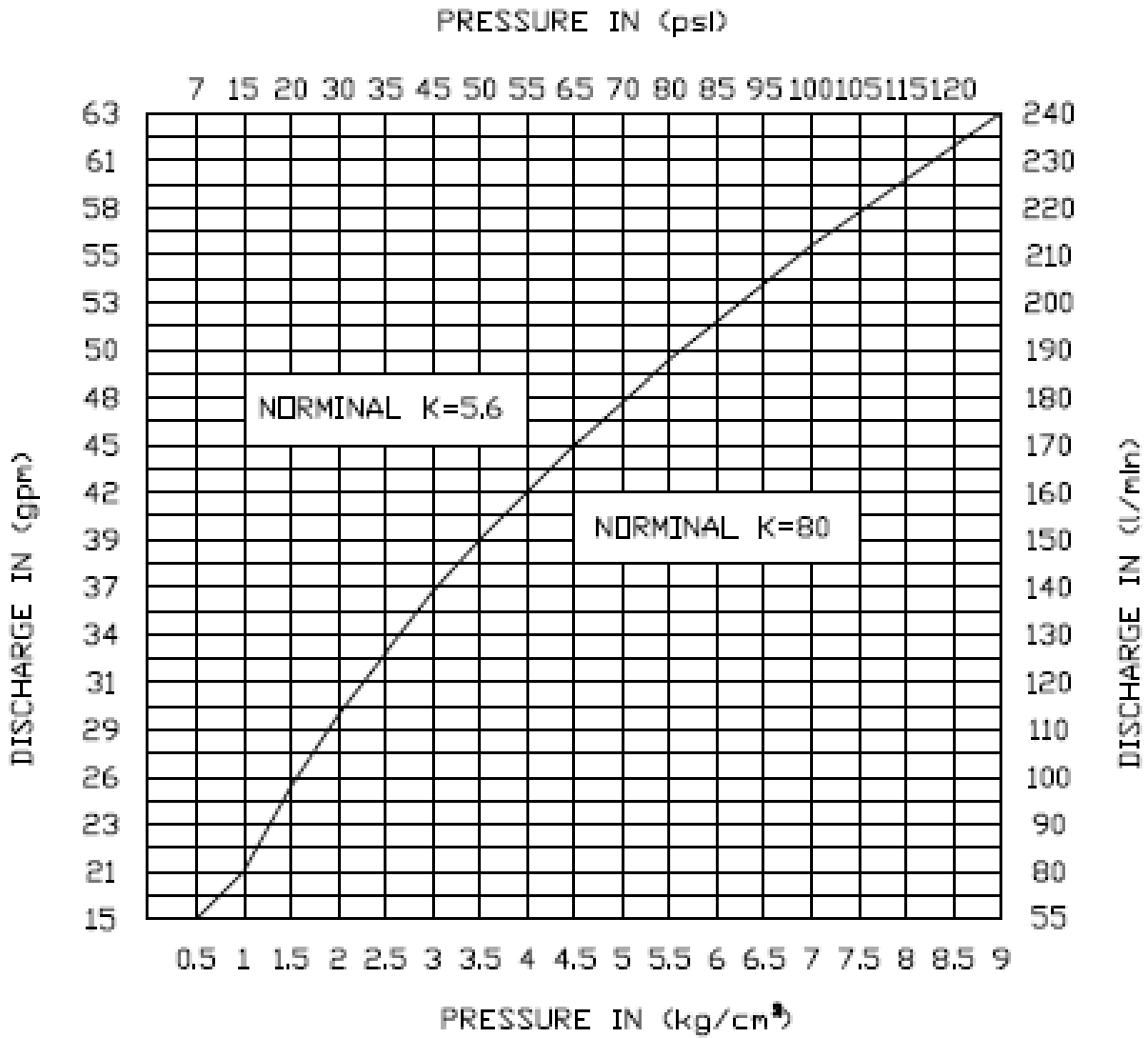


1	玻璃球	BULB	7	NORBULB N5
1	彈片	SEAL	6	BERY, NICKEL SPRING TEFLON TAPE
1	螺絲	LOAD SCREW	5	ASTM C36000
1	內帽	CAP SEAT	4	ASTM S30400
1	內銅柱	CAP	3	ASTM C11000
1	迴水板	DEFLECTOR	2	ASTM C26800
1	本體	FRAME	1	ASTM C37700
件數	零件名稱	規格	數量	標準編號
QTY.	PARTS NAME	PT. NO.		STD. DESIGNATION

1	玻璃球	BULB	7	NORBULB N3
1	彈片	SEAL	6	BERY, NICKEL SPRING TEFLON TAPE
1	螺絲	LOAD SCREW	5	ASTM C36000
1	內帽	QR CAP SEAT	4	ASTM S30400
1	內銅柱	CAP	3	ASTM C11000
1	迴水板	DEFLECTOR	2	ASTM C26800
1	本體	FRAME	1	ASTM C37700
件數	零件名稱	規格	數量	標準編號
QTY.	PARTS NAME	PT. NO.		STD. DESIGNATION



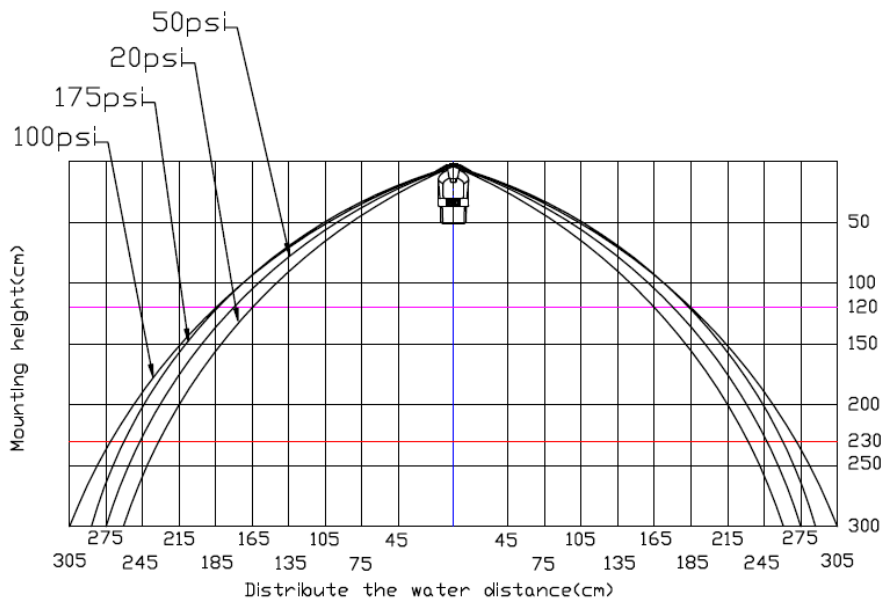
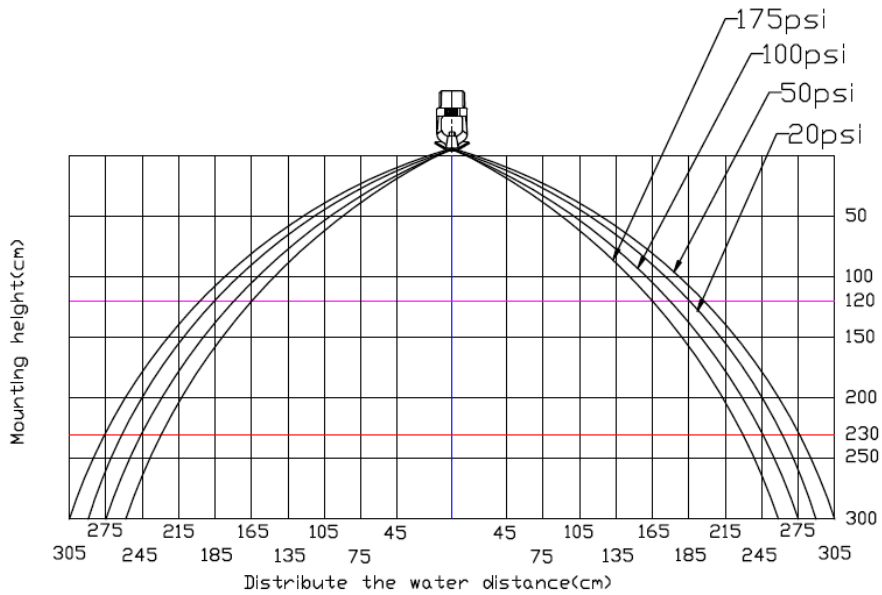
DISCHARGE CURVE



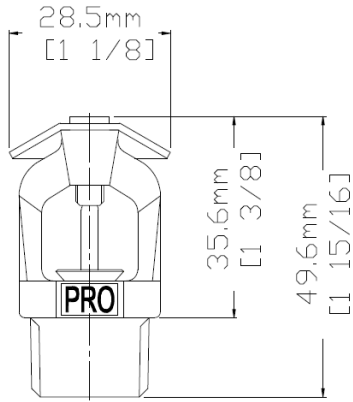
PROTECTOR SPRINKLER
 An  9001 certified company

DISTRIBUTION PATTERNS

K5.6 Conventional sprinkler DISTRIBUTION PATTERNS - TRAJECTORY

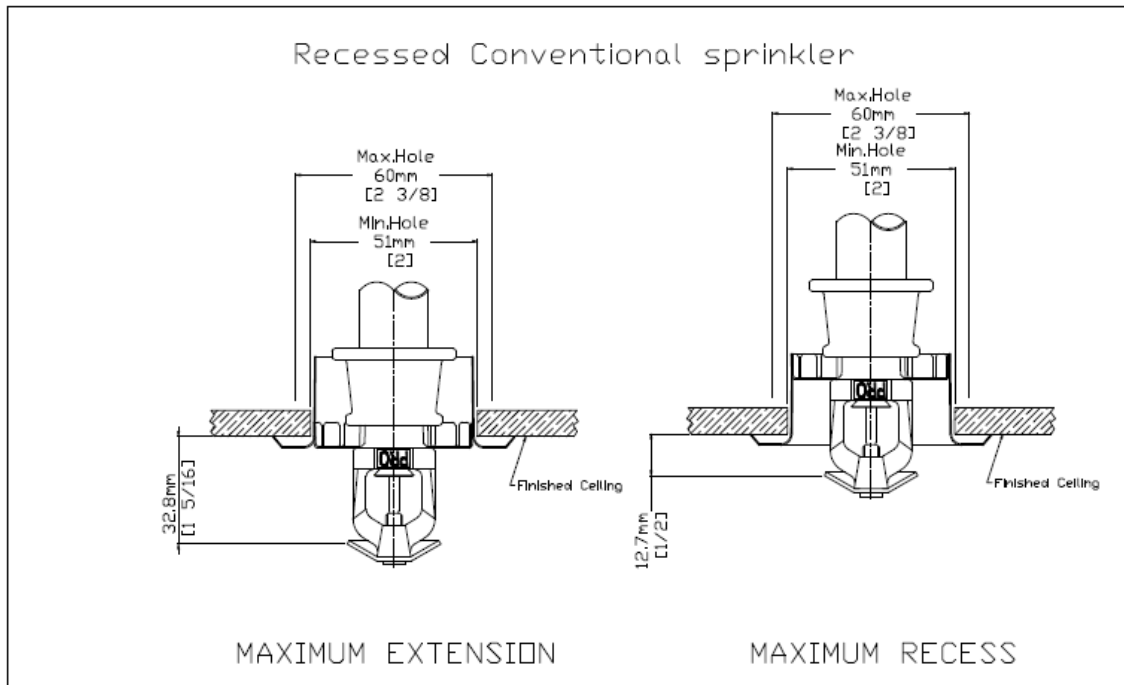
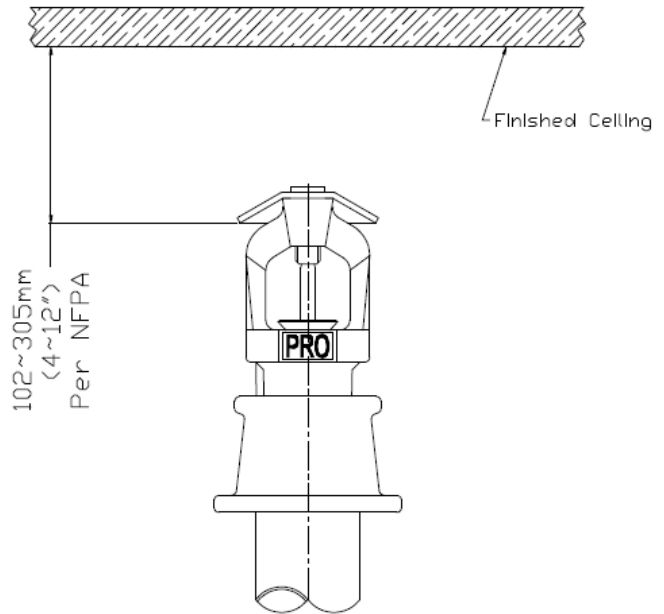


DIMENSIONS



Standard Conventional sprinkler

Standard Conventional sprinkler
 1/2" ADJUSTMENT



1/2" ADJUSTMENT